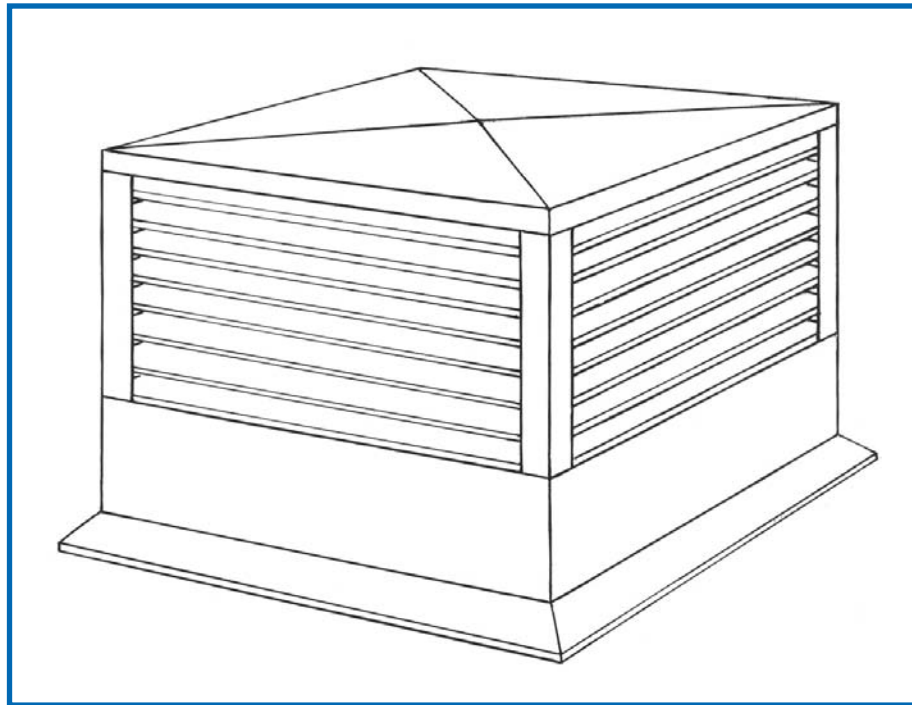


LOUVERED PENTHOUSE WITH CLOSED CORNERS



DESCRIPTION:

The Louvered Penthouse with closed corners is available with or without storm-proof deflectors (as used for mechanical evacuation). These Penthouse are usually built in sizes varying from 4' x 4' to 20' x 20'. Such characteristics as the quantity of louvers, the type of metal, the total evacuation, the steel gauge (maximum thickness 1/8") and all the dimension of the penthouse can be modified to suit your needs. Special flashing can be built to suit all types of roofs. Different types of louvers to prevent infiltrations are also available on request. Special colors are available by special orders only and at a slightly extra cost.

Do not hesitate to send us your specifications or needs.

VENTILATION
MAXIMUM Ltd.®

9229 Pierre Bonne, Montreal H1E 7J6
Tel.: 514-648-8011 - Fax: 514-648-9129
Watts: (Canada) 1-800-665-4874