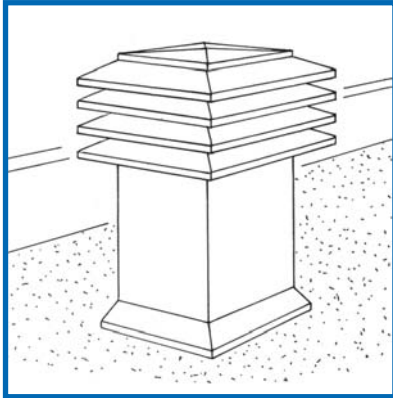


FLAT ROOF VENTILATOR, MODEL # 101



VENTILATION CHART FOR MODEL # 101

Net Ventilation Area between roof deck & insulation	Roof Area that one Ventilator 101 (12" x 12") can ventilate
1 inch to 6 inches	101 is not recommended Use Model 102
7 inches to 12 inches	300 square feet
13 inches to 24 inches	350 square feet
25 inches and more	400 square feet

DESCRIPTION:

Building code requires ventilation for restricted air space or flat roofs regardless of air intake.

The requirements are 1/150 (Section 9.19.1 of the Canadian Building Code of Canada)

This model is design to be installed onto a wooden curb.

The ventilator functions with the combination of wind and pressure differentials, thus creating a vacuum like effect, removing moisture and stale air from within the attic space.

This model can easily replace two to three conventional gooseneck vents.

The air space between the underside of the roof deck and the insulation determines the area it can ventilate.

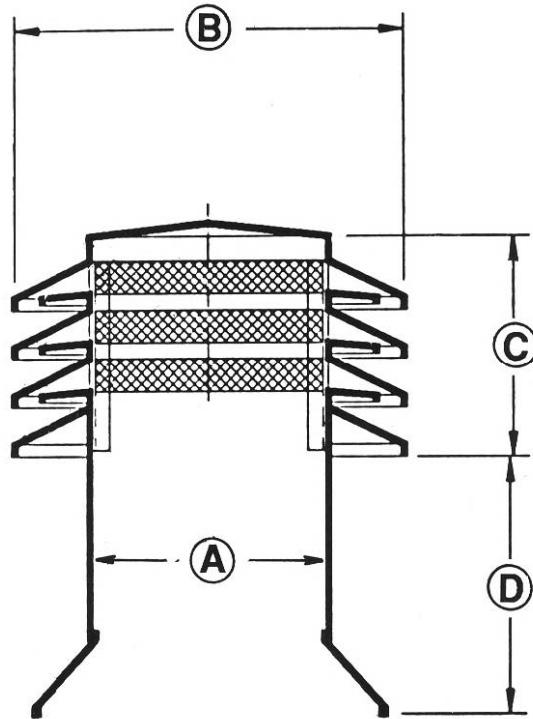
Standard colors: brown, black or grey. A limited selection of special colours is available at a small premium. Please visit our web site at www.ventilation-maximum.com.

Refer to the chart above for net ventilation area capacity.

N.B.

Refer to page 48 for more recommendations and positioning of the ventilators. The opening (hole) of the curb determines the Net Free Ventilation Area (NFVA) Also, when specifying the size of the ventilator, always remember to calculate an allowance for the thickness of wooden curb and roof membrane.

DIMENSIONS AND SPECIAL CHARACTERISTICS



CODE#	DIMENSIONS				EVACUATION	NUMBER OF DEFLECTORS	STEEL GAUGE USED
	A	B	C	D			
101-12	12"	19.50"	11"	12.25"	144 in. ²	4	24 & 26
*101-14	14"	21.50"	11"	20.25"	196 in. ²	4	24 & 26
*101-16	16"	23.50"	13"	20.25"	256 in. ²	5	24 & 26
*101-18	18"	25.50"	13"	20.25"	324 in. ²	5	24
*101-20	20"	27.50"	15.50"	20.25"	400 in. ²	6	22 & 24
*101-22	22"	29.50"	15.50"	20.25"	484 in. ²	6	22 & 24
*101-24	24"	31.50"	18"	20.25"	576 in. ²	7	22 & 24

Note:

The flashing of the 101 model can be modified to suit your needs.

*The models #101-14 to #101-24 are available by special orders only.

Please note that we can manufacture any other dimension on request.

N.B.

The opening (hole) of the curb determines the Net Free Ventilation Area (NFVA) Also, when specifying the size of the ventilator, always remember to calculate an allowance for the thickness of wooden curb and roof membrane.