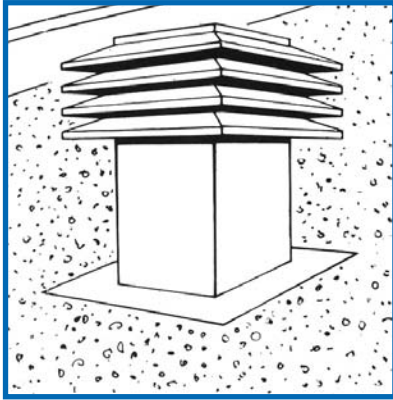


FLAT ROOF VENTILATOR, MODEL # 201-i-ex



VENTILATION CHART FOR MODEL # 210-i-ex

Net Ventilation Area between roof deck & insulation	Roof Area that one Ventilator 201-i-ex (12" x 12") can ventilate
1 inch to 6 inches	201-i-ex is not recommended Use Model 102 only with a flat base flashing
7 inches to 12 inches	325 square feet
13 inches to 24 inches	375 square feet
25 inches and more	425 square feet

DESCRIPTION:

Building code requires ventilation for restricted air space or flat roofs regardless of air intake. The requirements are 1/150 (Section 9.19.1 of the Canadian Building code of Canada).

The base flashing of this model was designed to be incorporated within the roof membrane (Torch-down Roll) and does not require a curb box. The neck of the ventilator is insulated to prevent condensation.

The ventilator functions with the combination of wind and pressure differentials, thus creating a vacuum like effect, removing moisture and stale air from within the attic space.

This model can easily replace two to three conventional gooseneck vents.

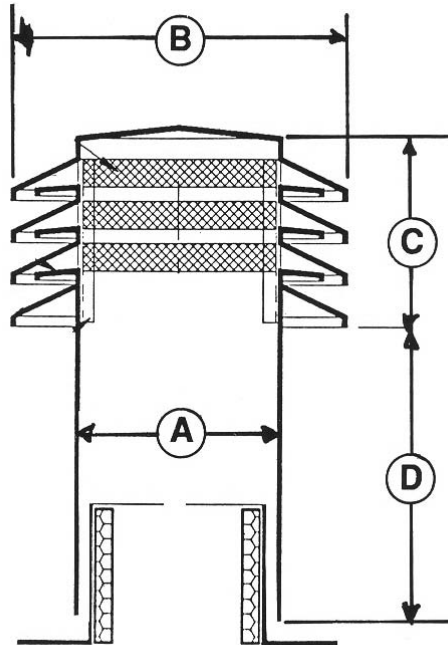
The air space between the underside of the roof deck and the insulation determines the area it can ventilate.

Standard colors: brown, black or grey. A limited selection of special colours are available at a small premium. Please visit our web site at www.ventilation-maximum.com.

N.B.

Refer to page 48 for more recommendations and positioning of the ventilators.

DIMENSIONS AND SPECIAL CHARACTERISTICS



CODE#	DIMENSIONS				EVACUATION	NUMBER OF DEFLECTORS	STEEL GAUGE USED
	A	B	C	D			
201-12	12"	19.50"	11"	14"	121 in. ²	4	24 & 26
*201-14	14"	21.50"	11"	16"	169 in. ²	4	24 & 26
*201-16	16"	23.50"	13"	16"	225 in. ²	5	24 & 26
*201-18	18"	25.50"	13"	16"	289 in. ²	5	24
*201-20	20"	27.50"	15.50"	16"	361 in. ²	6	22 & 24
*201-22	22"	29.50"	15.50"	16"	441 in. ²	6	22 & 24
*201-24	24"	31.50"	18"	16"	529 in. ²	7	22 & 24

Note:

The insulated extension piece #2-12-i allows us to raise the ventilator model 201-i ex by 12 inches. It is available in the standard colors : brown, black or grey.

- * The models #201-14 to #201-24 are available by special orders only. Please note that we can manufacture any other dimension on request.