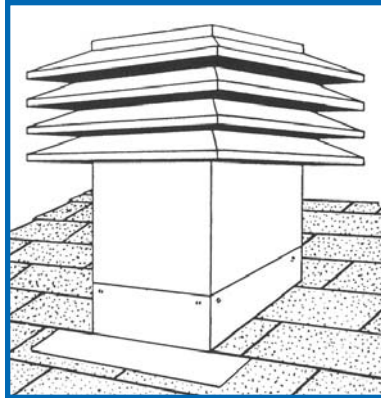


SLOPED ROOF VENTILATOR MODEL # 301



DESCRIPTION:

Unlike the turbine, the 301 static ventilators do not require to rotate to prevent water or snow infiltrations. Its unique patented system prevents infiltrations while at the same time capturing the wind flow from any directions and at wind velocities as low as 4 miles/hr. With this combination of technology, wind and pressure differentials, a “chimney effect” results in drawing the stale air and moisture out and replacing it with fresh new air that enters through the soffits.

With as little as a four miles per hour wind, this ventilator is creating an air exchange rate of 418 C.F.M.. It's recommended ventilation capacity is 1000 to 1200 sq.ft.

Just one of these ventilators can replace three twelve inches or two fourteen inches turbines.

A bonus feature to the 301 is it's wire mesh to prevent infiltrations of unwanted rodents and birds.

Made for residential buildings, built tough for industrial use: Lifetime limited warranty.

This model is adjustable to roofs with slopes varying between 1/12 to 15/12.

Standard colours: brown, black and grey. Special colours are available on special orders only and at slightly extra cost.

REGULATORY REQUIREMENTS:

The National Building Code of Canada requires natural ventilation for unrestricted attic space at a ratio of 1/300 (section 9.19.1)

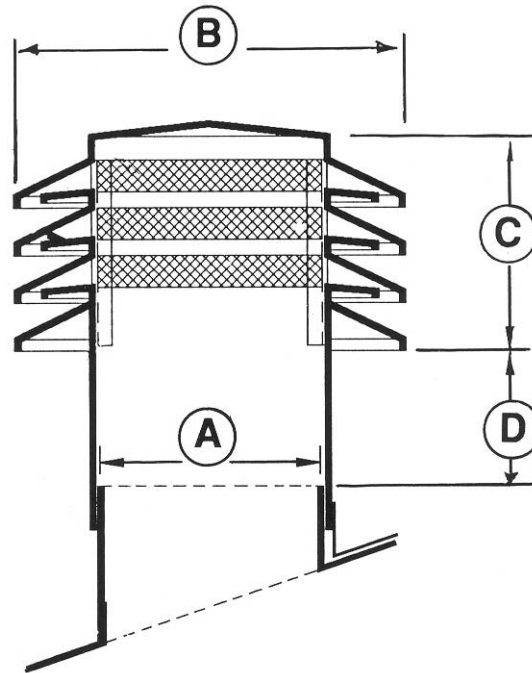
N.B.

Refer to page 47 for sloped roof recommendations.

VENTILATION[®]
MAXIMUM Ltd.

9229 Pierre Bonne, Montreal H1E 7J6
Tel.: 514-648-8011 - Fax: 514-648-9129
Watts: (Canada) 1-800-665-4874

DIMENSIONS AND SPECIAL CHARACTERISTICS



CODE #	DIMENSION				EVACUATION	NUMBER OF DEFLECTORS	STEEL GAUGE USED
	A	B	C	D			
301-12	12"	19.50"	10.50"	9"	144 in. ²	4	24 & 26
* 301-14	14"	21.50"	10.50"	14"	196 in. ²	4	24 & 26
* 301-16	16"	23.50"	13"	14"	256 in. ²	5	24 & 26
* 301-18	18"	25.50"	13"	14"	324 in. ²	5	24
* 301-20	20"	27.50"	15.50"	14"	400 in. ²	6	22 & 24
* 301-22	22"	29.50"	15.50"	14"	484 in. ²	6	22 & 24
* 301-24	24"	31.50"	18"	14"	576 in. ²	7	22 & 24

Note:

- * The models #301-14 to #301-24 are available by special orders only. Please note that we can manufacture any other dimension on request.

VENTILATION
MAXIMUM Ltd.

9229 Pierre Bonne, Montreal H1E 7J6
Tel.: 514-648-8011 - Fax: 514-648-9129
Watts: (Canada) 1-800-665-4874