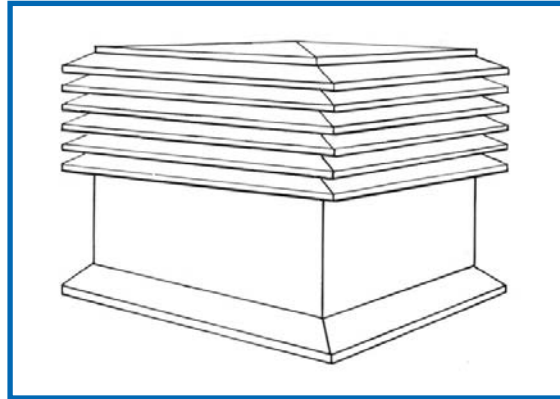


THE MAXIMUM LOUVERED PENTHOUSE



DESCRIPTION:

This ventilator is design to evacuate great volumes of air while protecting the machinery or units below. Allowing proper ventilation to machinery, which generates a lot of heat, steam, and fumes are some of the uses for this ventilator. The ventilator can also be used to act as air intake and outtake for other machinery, which are installed onto the roof, and this, as well as protecting them from the harsh weather conditions. From the evacuation of heat build-up in boiler rooms to the balancing of air pressure in elevator shafts, while protecting the integrity of the building makes this product an interesting choice engineers and architects alike.

Standard colors: brown, black or grey.

A limited selection of special colours are available at a small premium.

Please visit our web site at www.ventilation-maximum.com.

MAINTENANCE:

There is no maintenance required for the ventilator itself, but the cover can be designed to be removed to maintain machinery inside the ventilator.

N.B.:

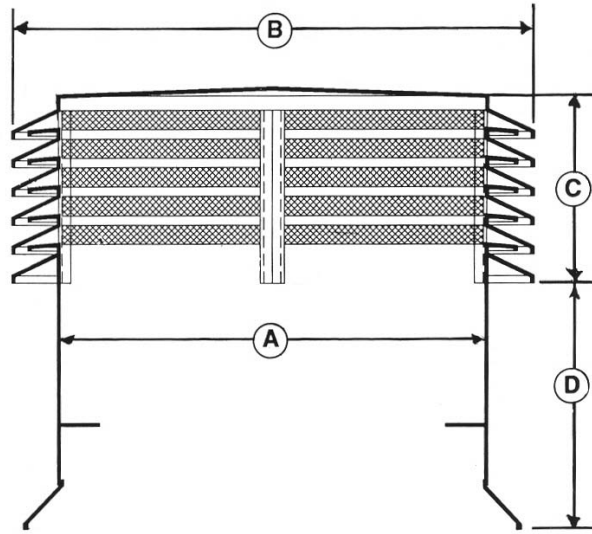
This unit is custom made to your specifications.

Manufacturing delays will vary depending on season.

The opening (hole) of the curb determines the Net Free Ventilation Area (NFVA

Also, when specifying the size of the ventilator, always remember to calculate an allowance for the thickness of wooden curb and roof membrane.

DIMENSIONS AND SPECIAL CHARACTERISTICS



| CODE# | DIMENSIONS | | | | EVACUATION | NUMBER OF DEFLECTORS | STEEL GAUGE USED |
|-------|------------|--------|--------|-----|-----------------------|----------------------|------------------|
| | A | B | C | D | | | |
| C-26 | 26" | 33.50" | 18" | 21" | 676 in. ² | 7 | 20 & 22 |
| C-28 | 28" | 35.50" | 20.50" | 21" | 784 in. ² | 8 | 20 & 22 |
| C-30 | 30" | 37.50" | 20.50" | 21" | 900 in. ² | 8 | 20 & 22 |
| C-32 | 32" | 39.50" | 23" | 21" | 1024 in. ² | 9 | 20 & 22 |
| C-34 | 34" | 41.50" | 23" | 21" | 1156 in. ² | 9 | 20 & 22 |
| C-36 | 36" | 43.50" | 25.50" | 21" | 1296 in. ² | 10 | 20 |
| C-38 | 38" | 45.50" | 25.50" | 21" | 1444 in. ² | 10 | 20 |
| C-40 | 40" | 47.50" | 28 | 21" | 1600 in. ² | 11 | 20 |
| C-42 | 42" | 49.50" | 28 | 21" | 1764 in. ² | 11 | 20 |
| C-44 | 44" | 51.50" | 30.50" | 21" | 1936 in. ² | 12 | 20 |
| C-46 | 46" | 53.50" | 30.50" | 21" | 2116 in. ² | 12 | 20 |

Note:

The Maximum Louvered Penthouse are available by special orders only. Its dimensions (height, width, etc.) and steel gauge can vary according to your specifications. Special flashing can be built to suit your needs.

N.B.

The opening (hole) of the curb determines the Net Free Ventilation Area (NFVA) Also, when specifying the size of the ventilator, always remember to calculate an allowance for the thickness of wooden curb and roof membrane.