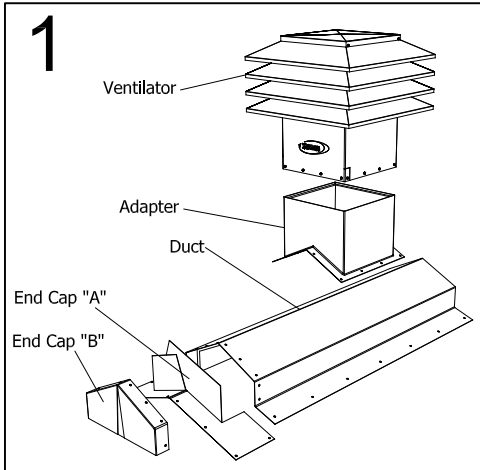
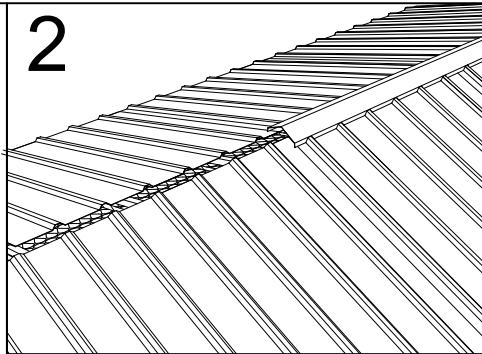


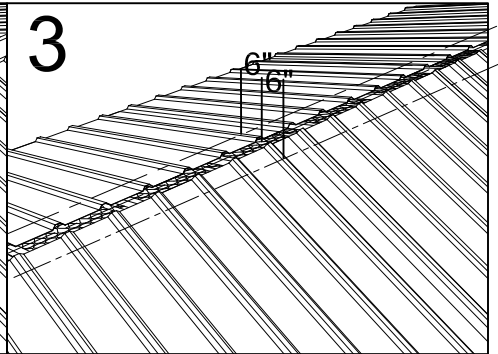
Cathedral Ventilation System Installation on steel roofs (new and existing construction)



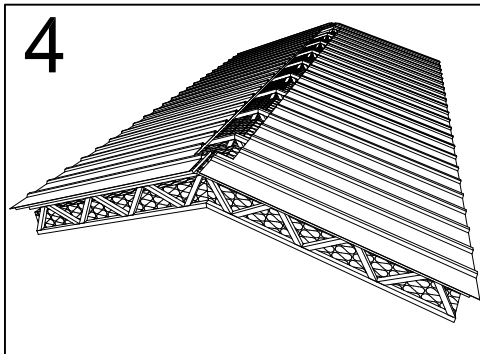
Cathedral Ventilation System Components.



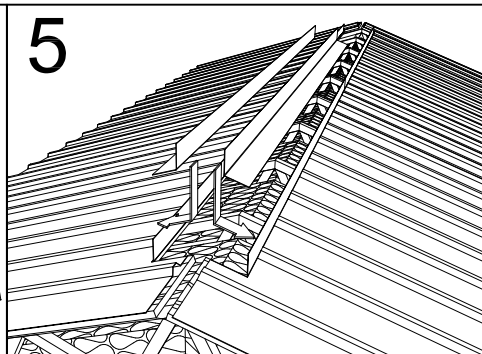
Remove steel ridge caps complete.



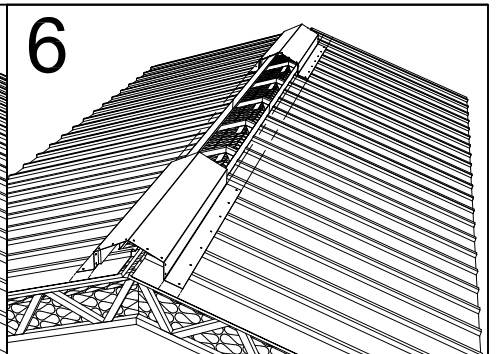
Trace a line 6 inches down each side of the ridge.



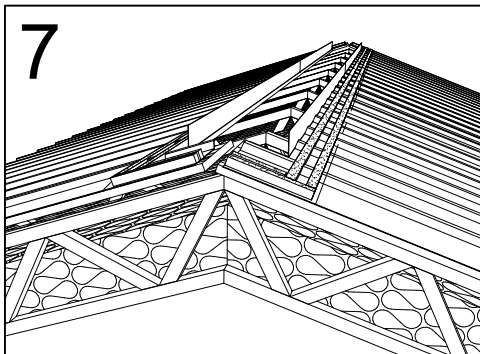
Cut out opening in roof deck by following the lines leaving the ridge exposed. Be careful not to cut or interfere with the rafters. Leave the width of the overhang uncut at both extremities.



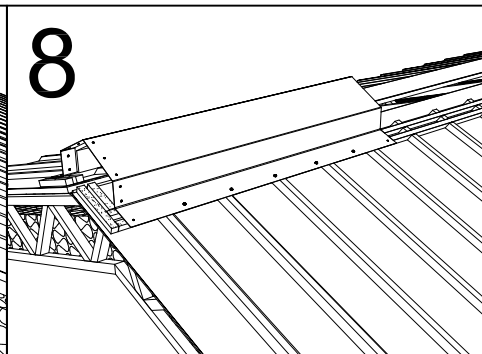
Fabricate a galvanized metal counter flashing (3" high x 3" flange) along each side of the opening between the roof and the steel as illustrated above, supplied by contractor.



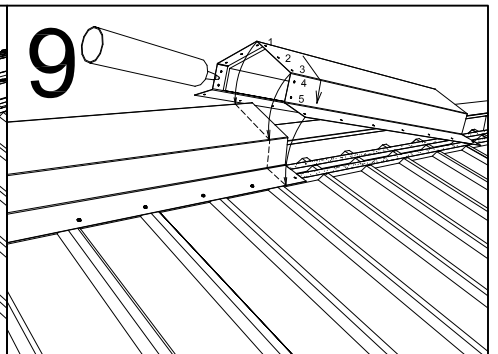
Temporarily install 2 Ducts, one on each extremity, as illustrated. Then trace a line onto the roof deck, making sure that they are perfectly aligned.



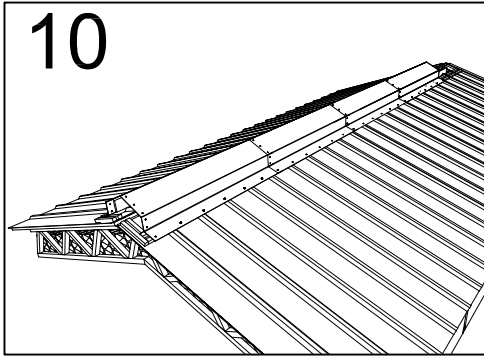
Install 2 rows of closer tape inside the traced lines and at both ends of the ridge.



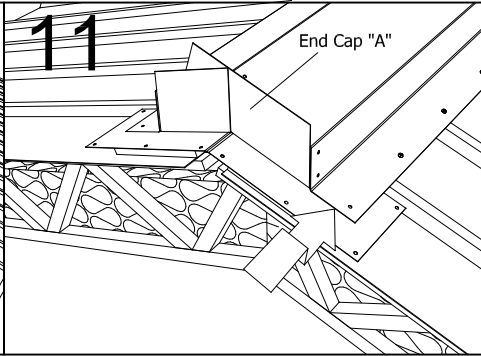
Install first Duct making sure that you leave enough space for the installation of the End Cap "A". Secure to deck (screws supplied by contractor).



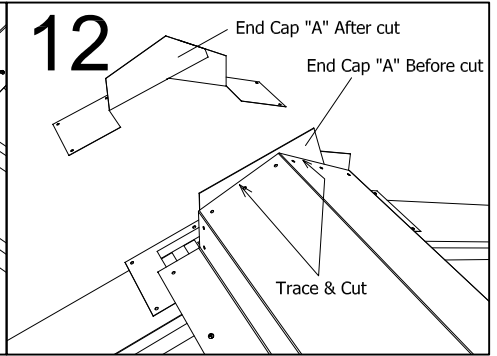
Install a second Duct over the first, overlapping 2 inches, apply bitumen sealant unto the overlap and secure together with screws provided. Start screwing from the top (left and right side) down to the vertical sides. Use each of the perforated holes, then secure to deck.



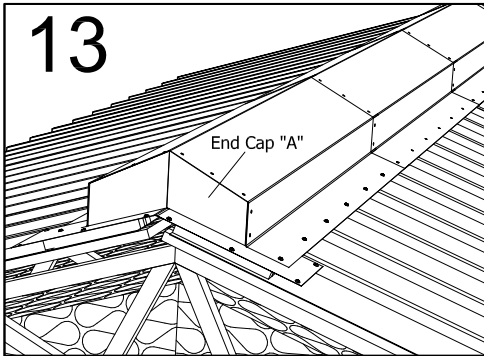
10 Repeat step 9 for all other Ducts.



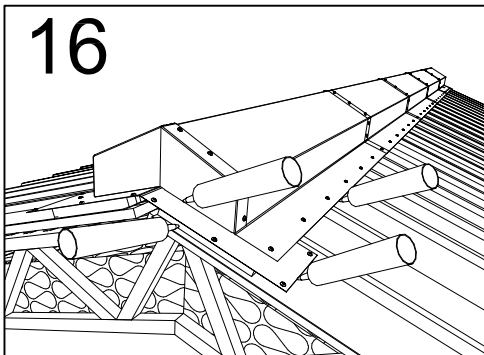
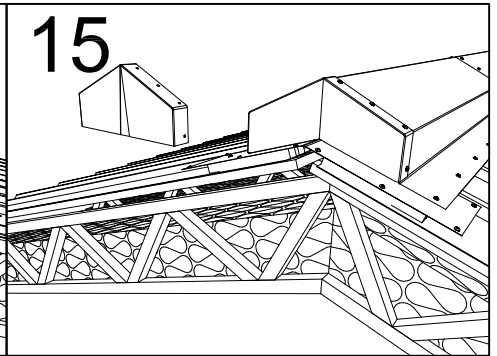
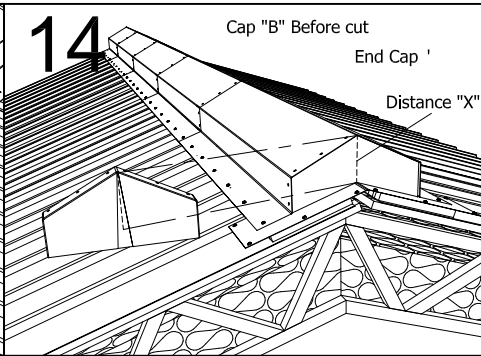
11 Place End Cap "A" onto side of Duct and under the flange, as per illustrated.



12 Trace and cut out excess metal from End Cap "A". Make sure that metal does not exceed edge of Duct.

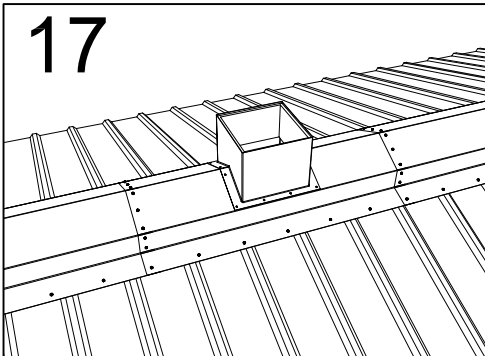


13 Reinstall End Cap "A" onto the Duct and under the flange as per illustrated, and secure to deck. (screws provided by contractor)

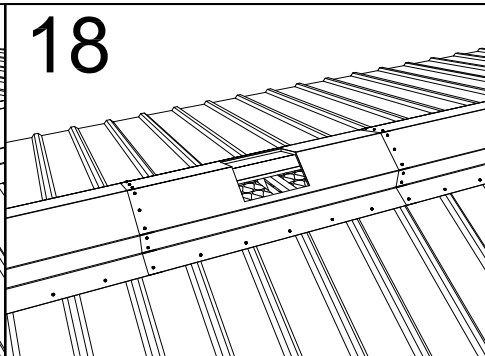


16

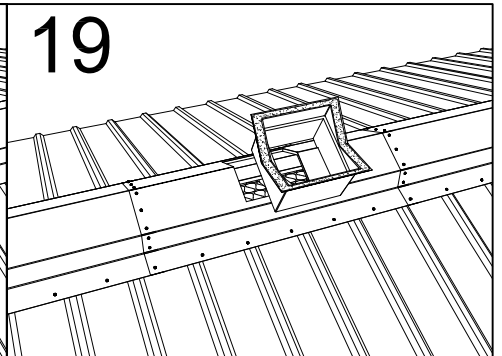
Cathedral Ventilation System Installation on steel roofs (new and existing construction)



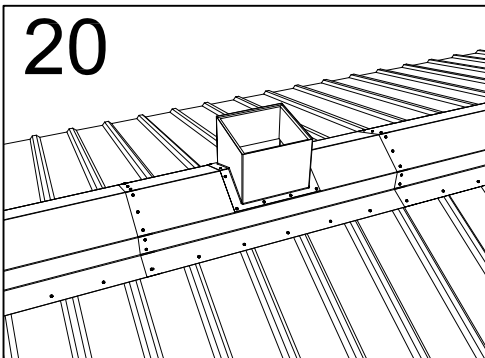
17
Place the Adapter onto the Duct at the desired location, then trace a line onto the Duct, using the interior of the adaptor as your template.



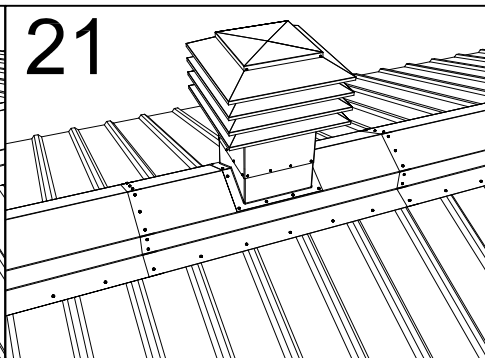
18
Remove the Adapter and cut out the opening as per illustrated.



19
Apply a good quality sealant onto the underside flashing of the Adapter, as illustrated.



20
Place the Adapter back onto the Duct over the hole and secure to Duct with screws provided into each of the perforations.



21
Place Ventilator head over Duct, making sure it is level and fasten with screws provided into each of the perforated holes.

