

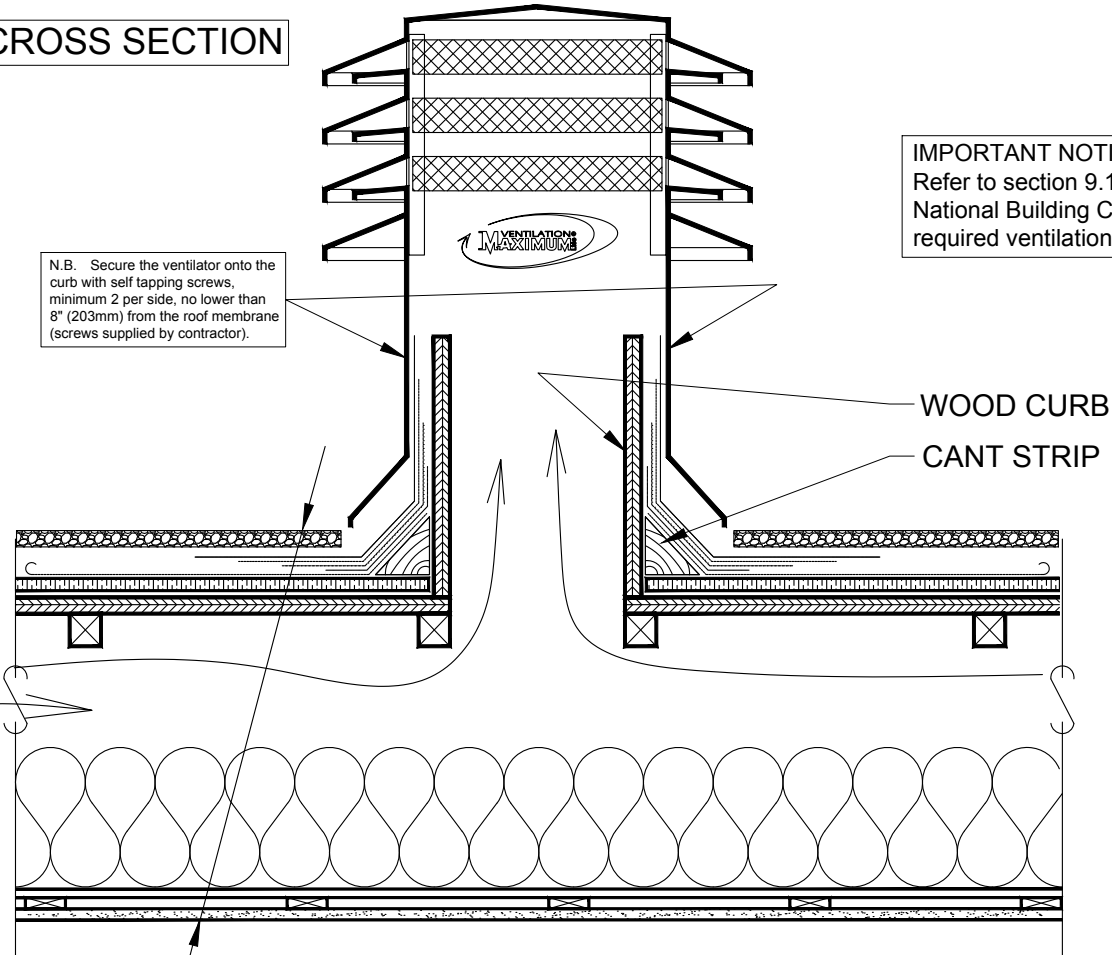
MODEL 101

Application for
Asphalt and Gravel

CROSS SECTION

N.B. Secure the ventilator onto the curb with self tapping screws, minimum 2 per side, no lower than 8" (203mm) from the roof membrane (screws supplied by contractor).

IMPORTANT NOTICE:
Refer to section 9.19.1.2 of the National Building Code for required ventilation.

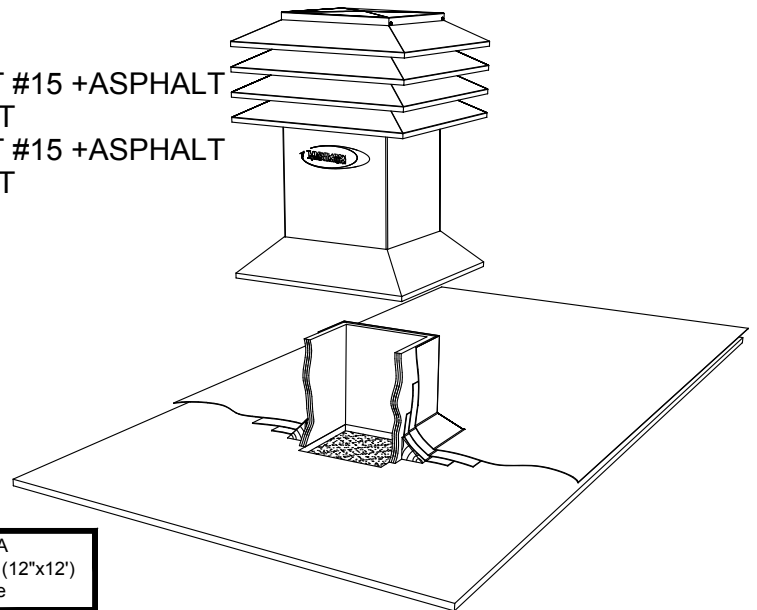


WOOD CURB

CANT STRIP

- ASPHALT & GRAVEL
- ONE PLY PERFORATED FELT #15 + ASPHALT
- ONE PLY COTTON + ASPHALT
- ONE PLY PERFORATED FELT #15 + ASPHALT
- ONE PLY COTTON + ASPHALT
- BUILT-UP ROOFING
- BASE SHEET
- ROOF DECK
- AIR SPACE
- INSULATION
- VAPOR BARRIER
- FURRINGS
- DRYWALL

This CROSS SECTION is only an example.
(VENTILATION MAXIMUM Ltd.)



AIR SPACE between the underside of the roof deck and the insulation	ROOF AREA that 1 ventilator 101 (12"x12') can ventilate
2.5 to 6 inches	101 is not recommended use model 102
7 to 12 inches	151-200 sq. feet
13 to 24 inches	201-300 sq. feet
25 inches and more	301-400 sq. feet