

MODEL 102

Application for
Asphalt and Gravel

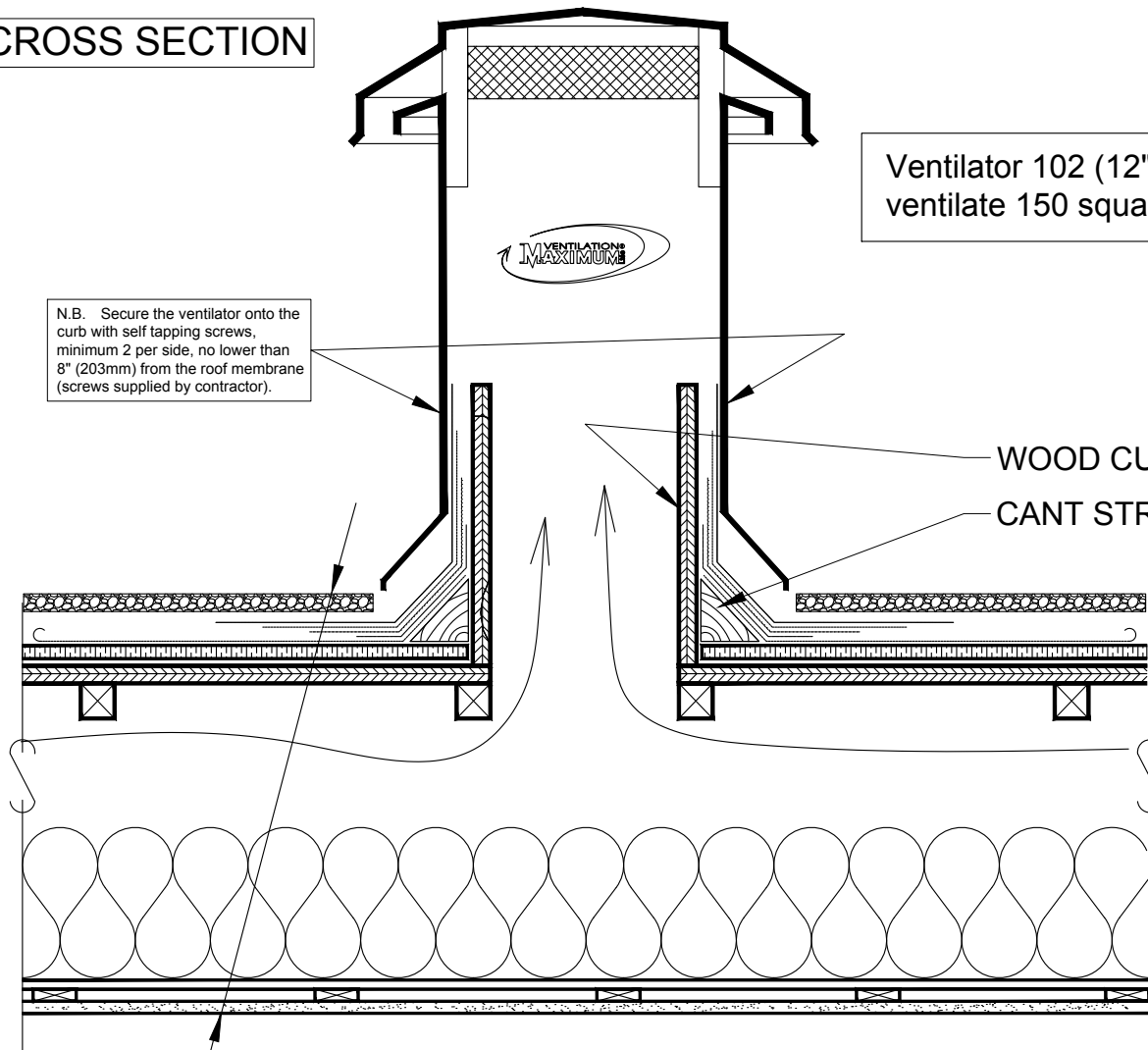
CROSS SECTION

Ventilator 102 (12" x 12") can ventilate 150 square feet of surface

N.B. Secure the ventilator onto the curb with self tapping screws, minimum 2 per side, no lower than 8" (203mm) from the roof membrane (screws supplied by contractor).

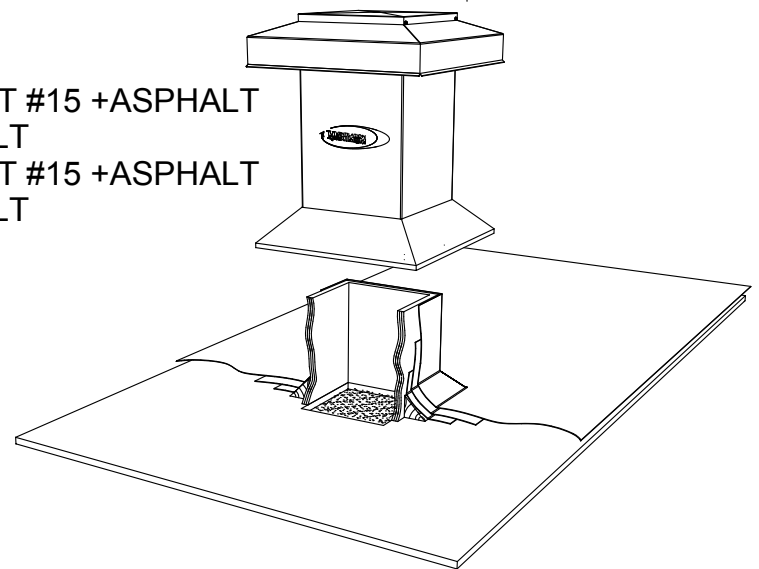
WOOD CURB

CANT STRIP



- ASPHALT & GRAVEL
- ONE PLY PERFORATED FELT #15 + ASPHALT
- ONE PLY COTTON + ASPHALT
- ONE PLY PERFORATED FELT #15 + ASPHALT
- ONE PLY COTTON + ASPHALT
- BUILT-UP ROOFING
- BASE SHEET
- ROOF DECK
- AIR SPACE
- INSULATION
- VAPOR BARRIER
- FURRINGS
- DRYWALL

This CROSS SECTION is only an example.
(VENTILATION MAXIMUM Ltd.)



IMPORTANT NOTICE:
Refer to section 9.19.1.2 of the
National Building Code for
required ventilation.