

# 6 models for roof EXHAUST TRAPS



**Model VMAX-CT-4**

Slope roof exhaust trap

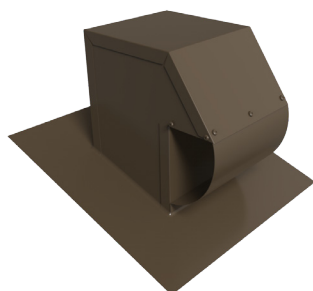
Exhaust diameter : Built in 4 in. round diameter pipe.  
Height : 5 3/4 in. from roof deck to exhaust.  
Slope : From 2/12 to 15/12  
Colours : Black, brown, grey



**Model VMAX-CT-AD-12**

Slope or flat roof exhaust trap with one exit

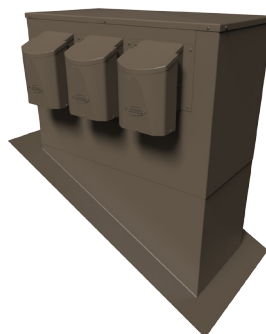
Exhaust diameter : For 4,5,6 in. exhaust.  
Height : 18 in. from roof deck to exhaust.  
Slope : Adjustable flashing for slope varying 2/12 to 15/12.  
Colours : Black, brown, grey



**Model VMAX-CT-6**

Slope roof exhaust trap

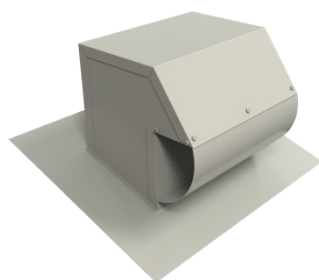
Exhaust diameter : Built in 6 in. round diameter pipe.  
Height : 5 3/4 in. from roof deck to exhaust.  
Slope : From 2/12 to 15/12  
Colours : Black, brown, grey



**Model multiple roof exhaust trap**

Slope or flat roof exhaust trap

Exhaust diameter : For 3,4,5,6 in. and 3 1/4 x 10 in.  
Height : Per your specifications.  
Base : Costumed made to your specifications for slope or flat roofs.  
Colours : Black, brown, grey



**Model VMAX-CT-10**

Slope roof exhaust trap

Exhaust diameter : Built in 3 1/4 x 10 in. rectangular collar.  
Height : 5 3/4 in. from roof deck to exhaust.  
Slope : From 2/12 to 15/12  
Colours : Black, brown, grey



**Warning :**  
Before venting an attic space, make sure that the building in question complies with the Building Code Requirements.



## SPECIFICATIONS AND SPECIAL FEATURES

### VMAX-CT-4

Dimension : Built-in 4 in. diameter tail pipe  
 Height : 7<sup>3/4</sup> in.  
 Width : 5<sup>1/4</sup> in.  
 Roof Pitch : 2/12 to 15/12  
 Storm Proof : Unique precision engineered storm proof system  
 Solid : Structural quality galvanized steel  
 Rodent Proof : Removable galvanized wire mesh grill  
 Finish : Powder coated polyester baked paint with UV protection  
 Warranty : Limited Lifetime Warranty on all manufacturing defects,  
 5 years on paint & corrosion  
 Available Colours : Black, brown and grey

### VMAX-CT-6

Dimension : Built-in 6 in. diameter tail pipe  
 Height : 7<sup>3/4</sup> in.  
 Width : 7<sup>1/4</sup> in.  
 Roof Pitch : 2/12 to 15/12  
 Storm Proof : Unique precision engineered storm proof system  
 Solid : Structural quality galvanized steel  
 Rodent Proof : Removable galvanized wire mesh grill  
 Finish : Powder coated polyester baked paint with UV protection  
 Warranty : Limited Lifetime Warranty on all manufacturing defects,  
 5 years on paint & corrosion  
 Available Colours : Black, brown and grey

### VMAX-CT-10

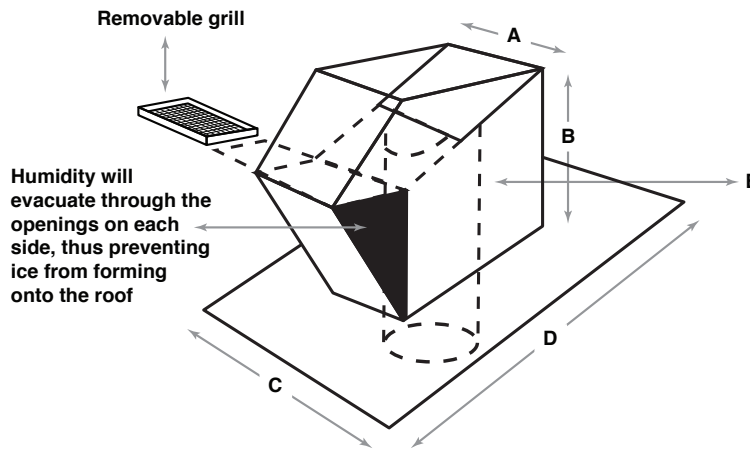
Dimension : Built-in 3<sup>1/4</sup> x 10 in. diameter tail pipe  
 Height : 7<sup>3/4</sup> in.  
 Width : 11<sup>1/4</sup> in.  
 Roof Pitch : 2/12 to 15/12  
 Storm Proof : Unique precision engineered storm proof system  
 Solid : Structural quality galvanized steel  
 Rodent Proof : Removable galvanized wire mesh grill  
 Finish : Powder coated polyester baked paint with UV protection  
 Warranty : Limited Lifetime Warranty on all manufacturing defects,  
 5 years on paint & corrosion  
 Available Colours : Black, brown and grey





# DIMENSIONS AND SPECIAL CHARACTERISTICS

Please refer to the section on slope roof recommendations for additional information and positioning.



CODE #	A	B	C	D	E
VMAX-CT-4	5.25 in.	7.25 in.	13.25 in.	15.25 in.	Galvanized pipe 4 in. in diameter
METRIC (mm)	133	184	337	387	
VMAX-CT-6	7.25 in.	7.75 in.	15.25 in.	15.25 in.	Galvanized pipe 6 in. in diameter
	184	197	387	387	
VMAX-CT-10	11.25 in.	7.75 in.	15.25 in.	19.25 in.	Rectangular galvanized pipe 3 <sup>1</sup> / <sub>4</sub> x 10 in.
	286	197	387	489	

**Warning :**  
 Before venting an attic space, make sure that the building in question complies with the Building Code Requirements.





# MODEL CT-AD-12

## SLOPE ROOF EXHAUST

### Description

The model VMAX-CT-AD-12 Roof Exhaust trap has been designed to allow for the discharge of one mechanical exhaust unit. It is costumed made to your specification for the size of exhaust required up to 6 in. diameter. The duct of the mechanical exhaust unit is connected onto the exhaust trap allowing for the discharge to be released out of the roof. The dimensions and opening of this unit allows the end user more room to work freely from the roof, especially on low slope and flat roof applications, and the height will allow for numerous snow falls before being covered or causing ice dams.

The exhaust traps that are built onto the unit are designed and engineered to permit for the exact net air flow of the exhaust from entry to the exit without any restrictions, thus eliminating all back flow pressure. The damper mechanism within, combined with the insulated damper, reduces noise level to a whisper.

### Model VMAX-CT-AD-12-3, 4, 5 & 6 (Slope or flat roof)

#### Note :

These units are costumed made for flat roof installation for curb mount or membrane application.

A limited selection of special colours are available at a small premium.

**Dimension :** Built-in 3,4,5 or 6 in. diameter exhaust duct

**Slope roof flashing :** Adjustable 2/12 to 15/12

**Flat roof flashing :** 45 degree curb mount or flat base for membrane

**Solid :** Structural quality galvanized steel

**Storm Proof :** Unique precision engineered storm proof system

**Rodent Proof :** Removable galvanized wire mesh grill

**Finish :** Powder coated polyester baked paint with UV protection

**Warranty :** Limited Lifetime Warranty on all manufacturing defects, 5 years on paint & corrosion

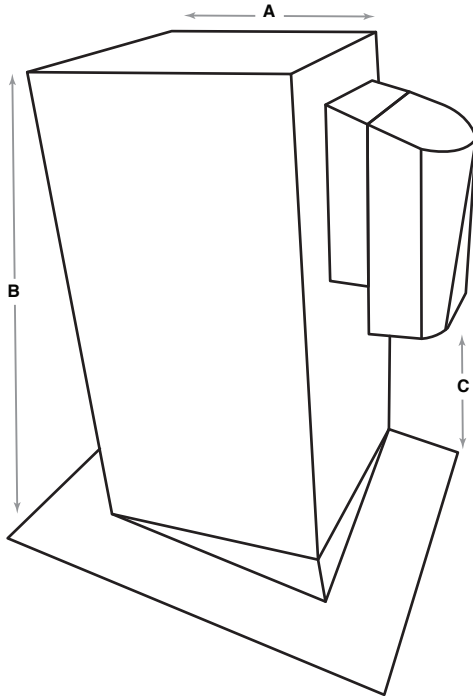
**Available Colours :** Black, brown and grey



9229 Pierre Bonne, Montreal H1E 7J6  
Tel.: 514-648-8011 Fax : 514-648-9129  
Watts: (Canada) 1-800-665-4874  
www.ventilation-maximum.com



## DIMENSIONS AND SPECIAL CHARACTERISTICS



CODE #	A	B	C
CT-AD-12	12"	22"	11"
METRIC (mm)	305	559	279

**Note :**

This model is available by special order only. Fabrication starts once we receive the order which can then take anywhere between two (2) to three (3) weeks delivery depending on your location and season.

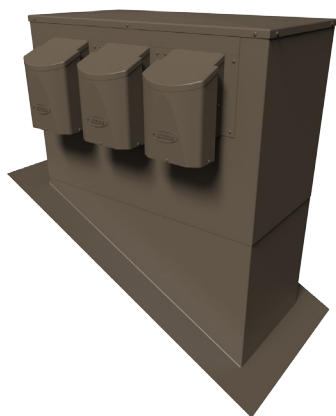
We recommend, so as to not delay your projects, that you place these orders in conjunction with these delays before starting a job.



9229 Pierre Bonne, Montreal H1E 7J6  
 Tel.: 514-648-8011 Fax : 514-648-9129  
 Watts: (Canada) 1-800-665-4874  
[www.ventilation-maximum.com](http://www.ventilation-maximum.com)

**Warning :**

Before venting an attic space, make sure that the building in question complies with the Building Code Requirements.



# MODEL MULTIPLE ROOF EXHAUST TRAP

## Description

The model VMAX Multiple Roof Exhaust trap has been designed to allow for the discharge of two or more mechanical exhaust units. It is costumed made to your specification for the number of exhaust required as well as the size. All the exhaust unit are then grouped together and connected onto their dedicated exhaust trap specified on the unit. This allows the end user to reduce the number of holes penetration in the roof deck and labour.

The exhaust traps that are built onto the unit are designed and engineered to permit for the exact net air flow of the exhaust from entry to the exit without any restrictions, thus eliminating all back flow pressure. The damper mechanism within, combined with the insulated damper, reduces noise level to a whisper. Should it be necessary to work within the unit itself, simply by removing the screws will allow the removal of the cover to allow for complete access within.

## Model Multiple Roof Exhaust trap (Slope or flat roof)

### Note :

These units are costumed made and slope specific, so it is important to specify the slope or the application when used for a flat roof for curb mount or 2 ply membrane application.

A limited selection of special colours are available at a small premium.

**Dimension :** Built-in 3,4,5,6 and 3<sup>1/4</sup> x 10 in. diameter exhaust duct

**Slope roof flashing :** Costumed made to specified slope

**Flat roof flashing :** Costumed made to your specification

**Height :** 24 in. **Width :** Number and size of exhaust units determines it

**Solid :** structural quality galvanized steel

**Storm Proof :** Unique precision engineered storm proof system

**Rodent Proof :** Removable galvanized wire mesh grill

**Finish :** Powder coated polyester baked paint with UV protection

**Warranty :** Limited Lifetime Warranty on all manufacturing defects, 5 years on paint & corrosion

**Available Colours :** Black, brown and grey



9229 Pierre Bonne, Montreal H1E 7J6  
Tel.: 514-648-8011 Fax : 514-648-9129  
Watts: (Canada) 1-800-665-4874  
www.ventilation-maximum.com

