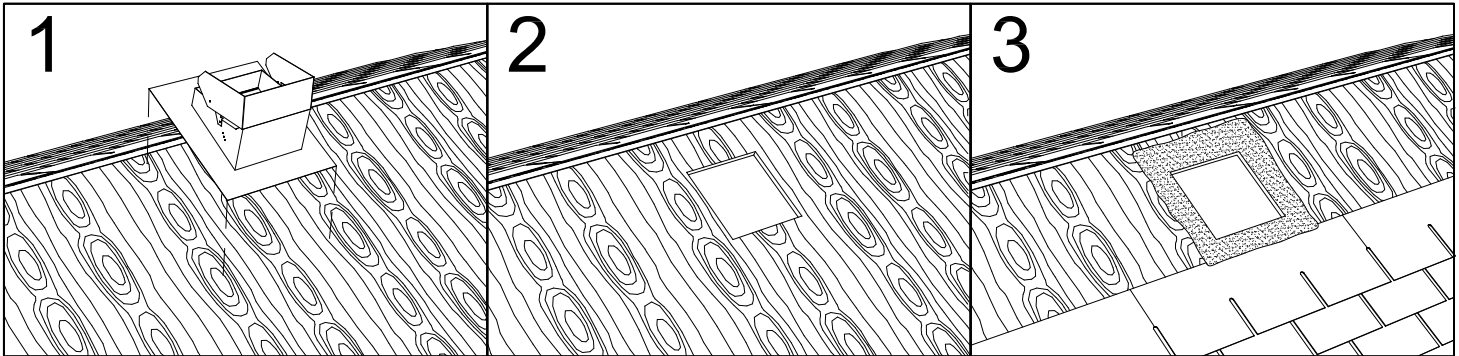


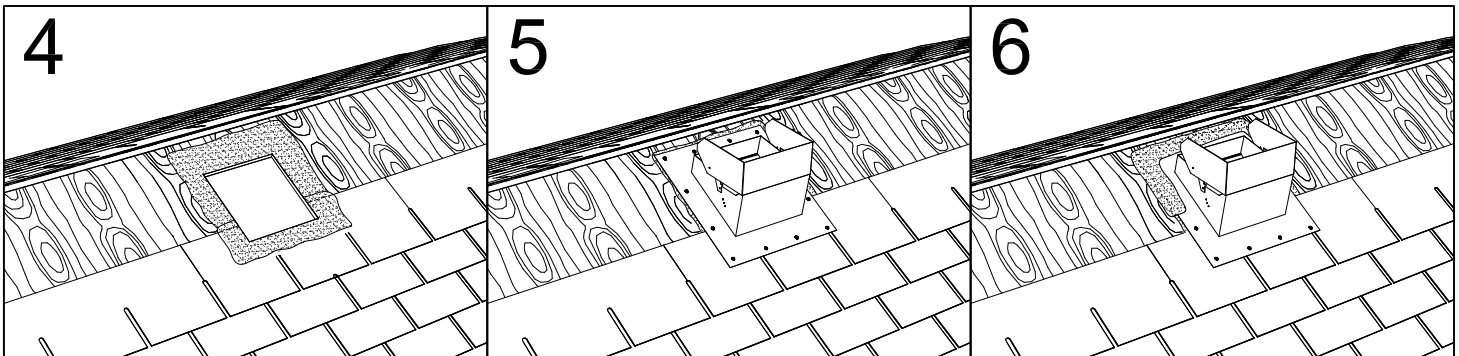
Slope Flashing Installation Instructions on shingle roofs (new construction) for Models 301-302-303



1
Place flashing over desired area making sure it is positioned between the rafters. Using the inside duct as a template, trace a line around the inside perimeter onto the deck. Opening should start 6-8 inches down from ridge.

2
Cut out deck around the perimeter of the line.

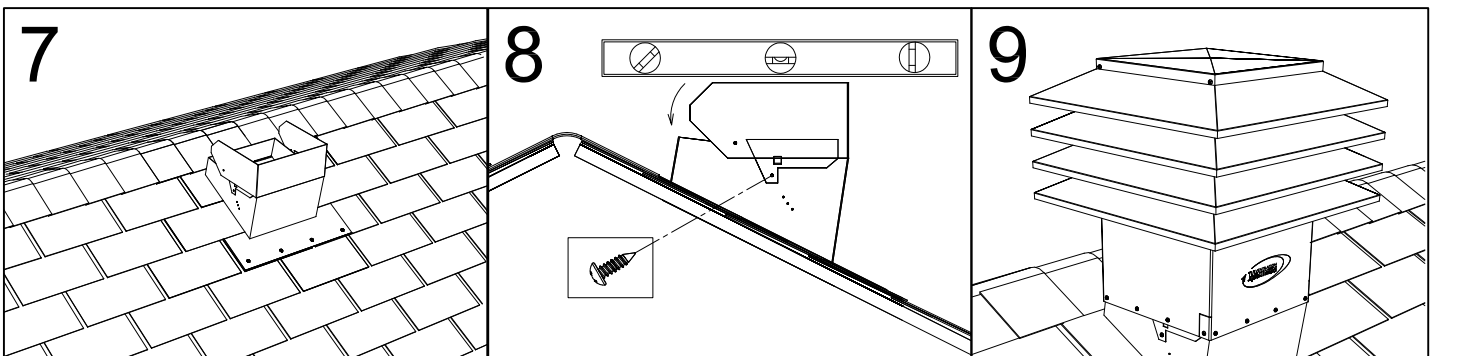
3
Carefully remove shingles around perimeter of hole to expose the deck as per illustrated, then apply a generous amount of good quality bitumen cement around the perimeter of the hole approx. 3-4 in. wide.



4
Re-install the bottom row shingle and then apply a generous amount of bitumen cement over the top portion of the shingle parallel with the hole as illustrated.

5
Install the base flashing over the opening and onto the bitumen cement and secure to the deck. (screws supplied by contractor)

6
Install a bitumen sealant on top of the back side of the flashing and halfway down each side.



7
Install shingles around flashing up to ridge complete.

8
If slope is less than $\frac{6}{12}$, skip to step 9.
If slope is from $\frac{6}{12}$ to $\frac{15}{12}$, use a level to adjust the top portion of the Adjustable Flashing until it is level. Secure in place on each side with the screws provided, as per illustration.

9
Install ventilator head onto the flashing, making sure it is level and that all louvers are above the ridge and secure to the flashing using screws provided into each of the perforations. (Model 301 shown)